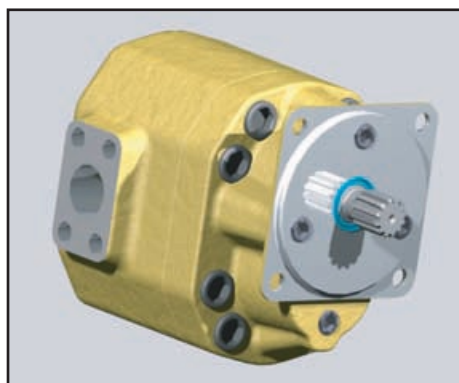


# GROUP 40

DATA

# GEAR PUMPS WARYNSKI SERIES



Model	40100	40118	40137	40155	40176	40200
Displacement [ccm/rev]	100	118	137	155	176	200
Rated pressure [Mpa]	25	25	25	25	21	20

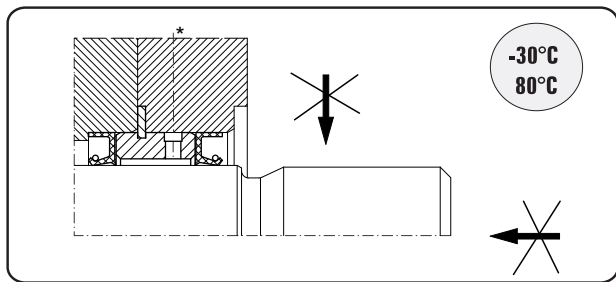
- Seal design
- Dimensions data
- Drive shaft
- Mounting flange
- Ports

## HOW TO ORDER

PUMP	SEAL DESIGN	GROUP	DISPLACEMENT [ccm/rev.]	DRIVE SHAFTS	FLANGES	PORTS	Rotation A- anticlockwise C- clockwise
W	C	40	100	C	5	A1	C
W	A C	40	100	C G	4 5	A1 B26	A C
			118				
			137				
			155				
			176				
			200				



### SEAL DESIGN



code A, C

#### CODE A

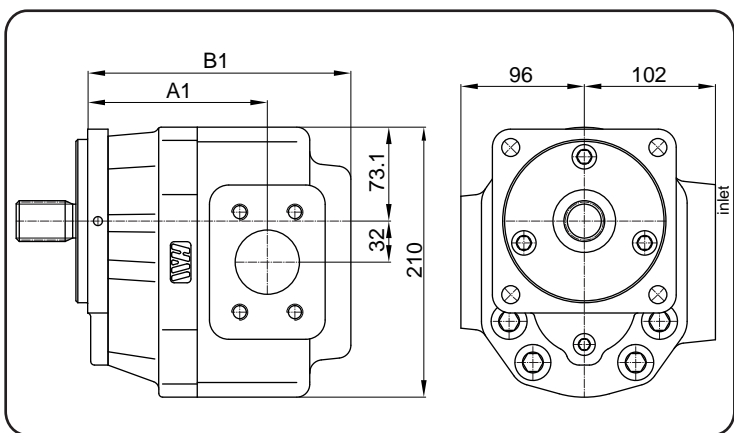
Suitable for external drives and flexible coupling

#### CODE C

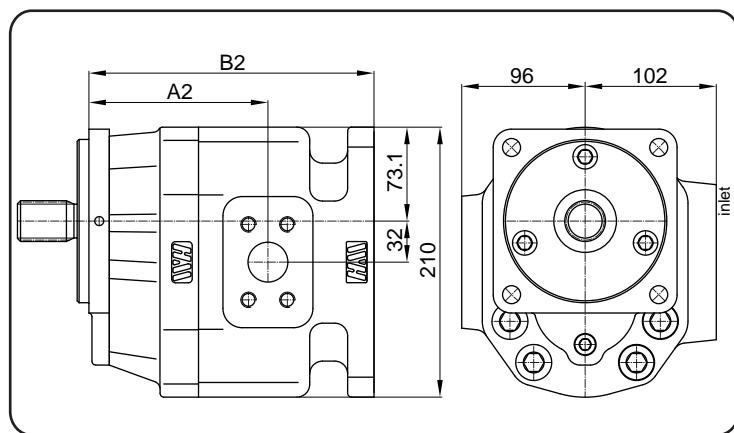
Visible-bleed drilling suitable for drives with no load for direct mounting on torque converters and gear boxes

\* leakage port

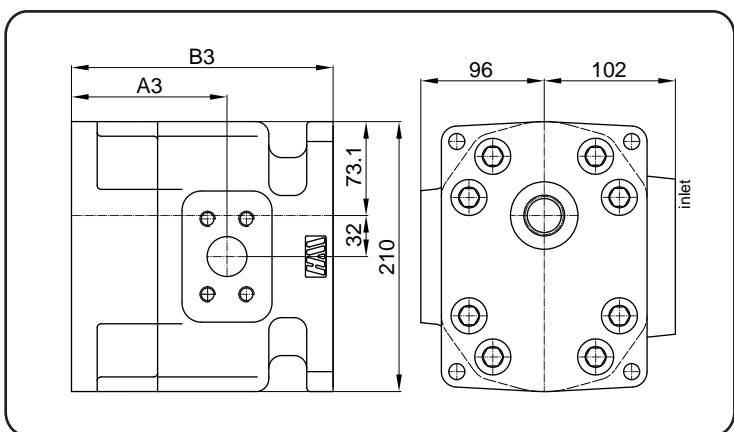
### DIMENSIONS DATA



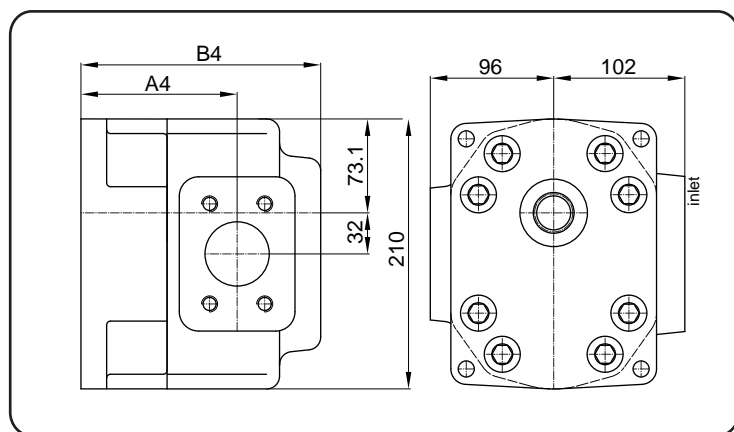
Single unit



Front unit



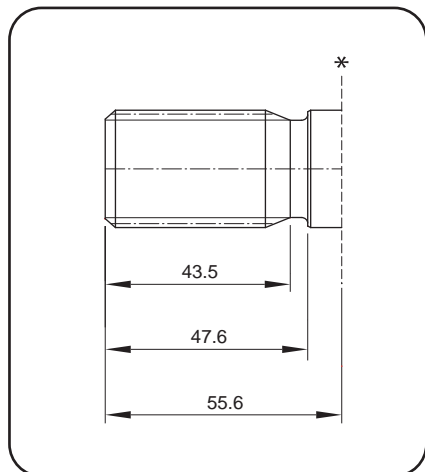
Intermediate unit



Rear unit

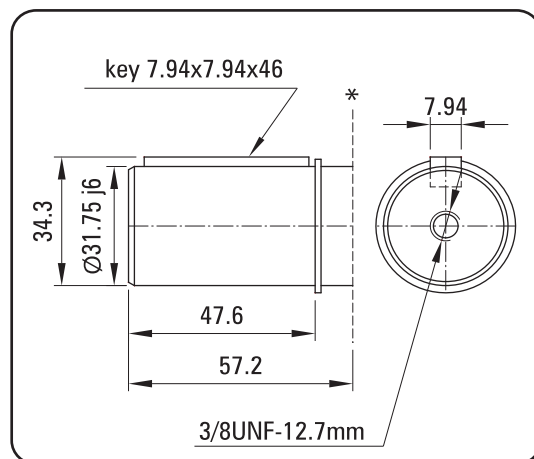
MODEL	Single unit		Front unit		Intermediate unit		Rear unit	
	A1	B1	A2	B2	A3	B3	A4	B4
40100	139	204,5	139,5	221,5	121,5	203,5	121	186,5
40118	146	211,5	146,5	228,5	128,5	210,5	128	193,5
40137	152,5	217,5	153,5	235,5	135	217	134,5	199,5
40155	139	223,5	139,5	241,5	121	223,5	121	205,5
40176	146,5	231,5	146,5	249,5	128,5	231	128,5	213
40200	155	239,5	155,5	257,5	137	239,5	137	221,5

**DRIVE SHAFTS**



involute spilne	SAE C
side fit	flat root
diametral pitch	12/24
pressure angle	30°
number of teeth	14
major diameter	31,20/ 31,12

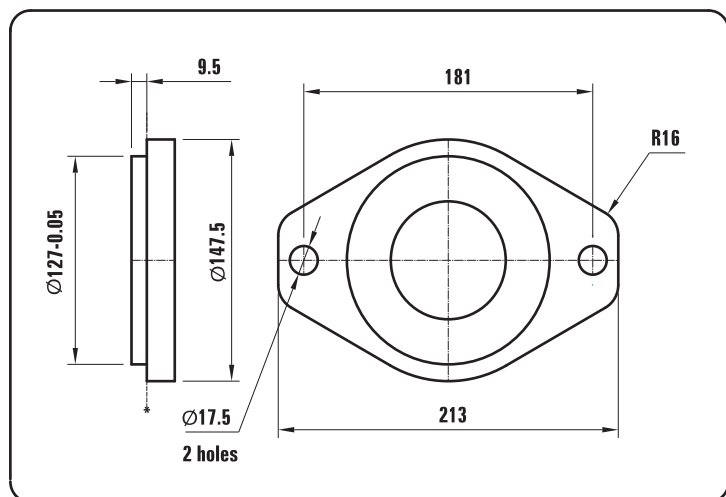
code C



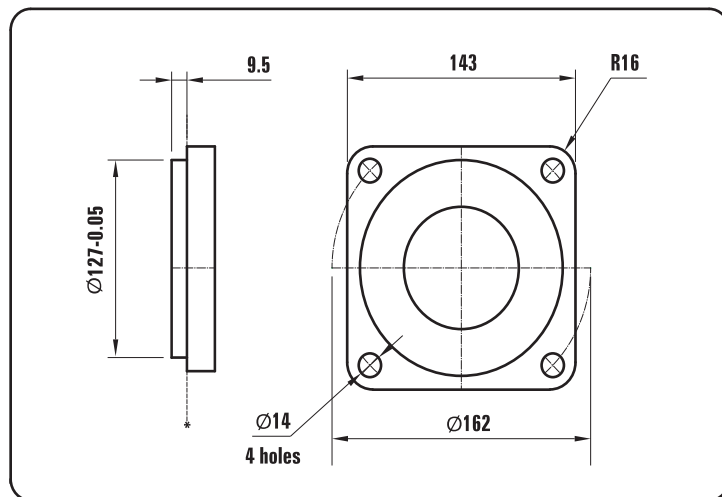
code G

**MOUNTING FLANGES**

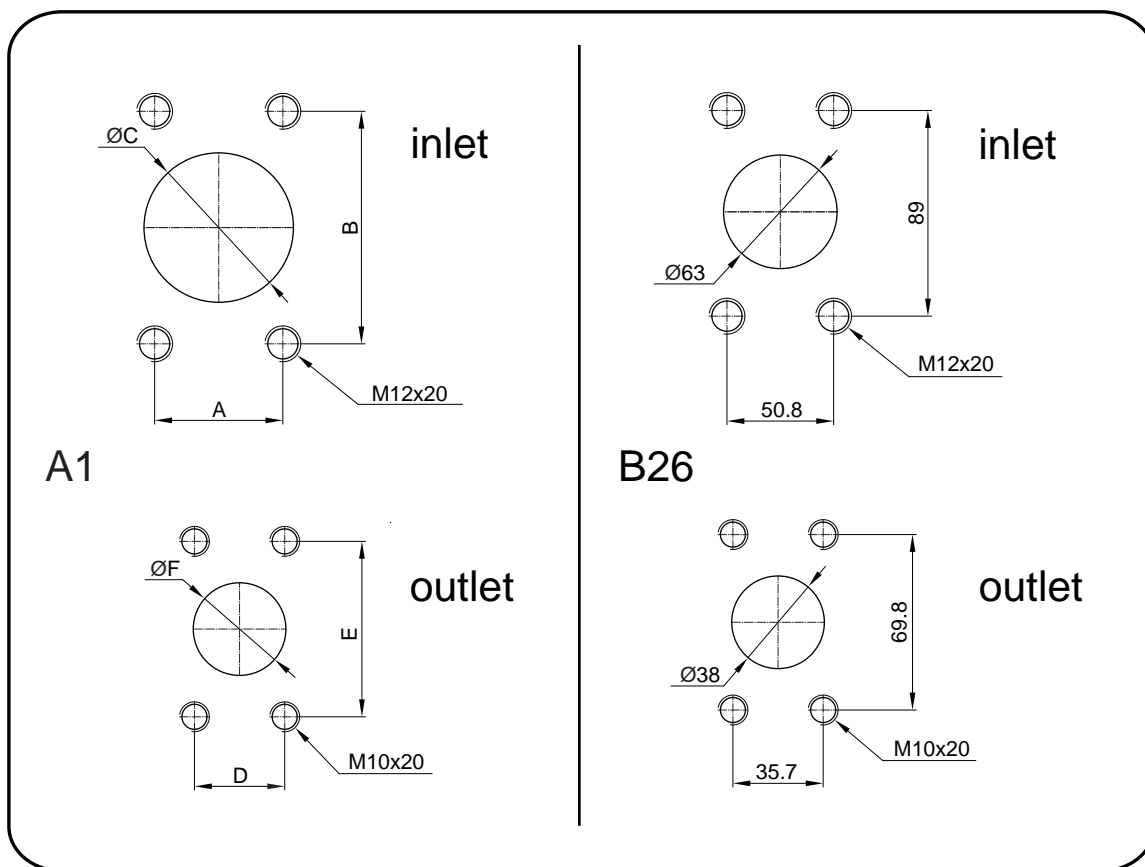
**SAE C**



code 4



code 5



SERIES	INLET: A1			OUTLET: A1		
	A	B	C	D	E	F
40100	35,7	69,8	38	30,2	58,7	31
40118	42,8	77,8	50	30,2	58,7	31
40137	42,8	77,8	50	30,2	58,7	31
40155	42,8	77,8	50	30,2	58,7	31
40176	50,8	89,0	63	35,7	69,8	38
40200	50,8	89,0	63	35,7	69,8	38